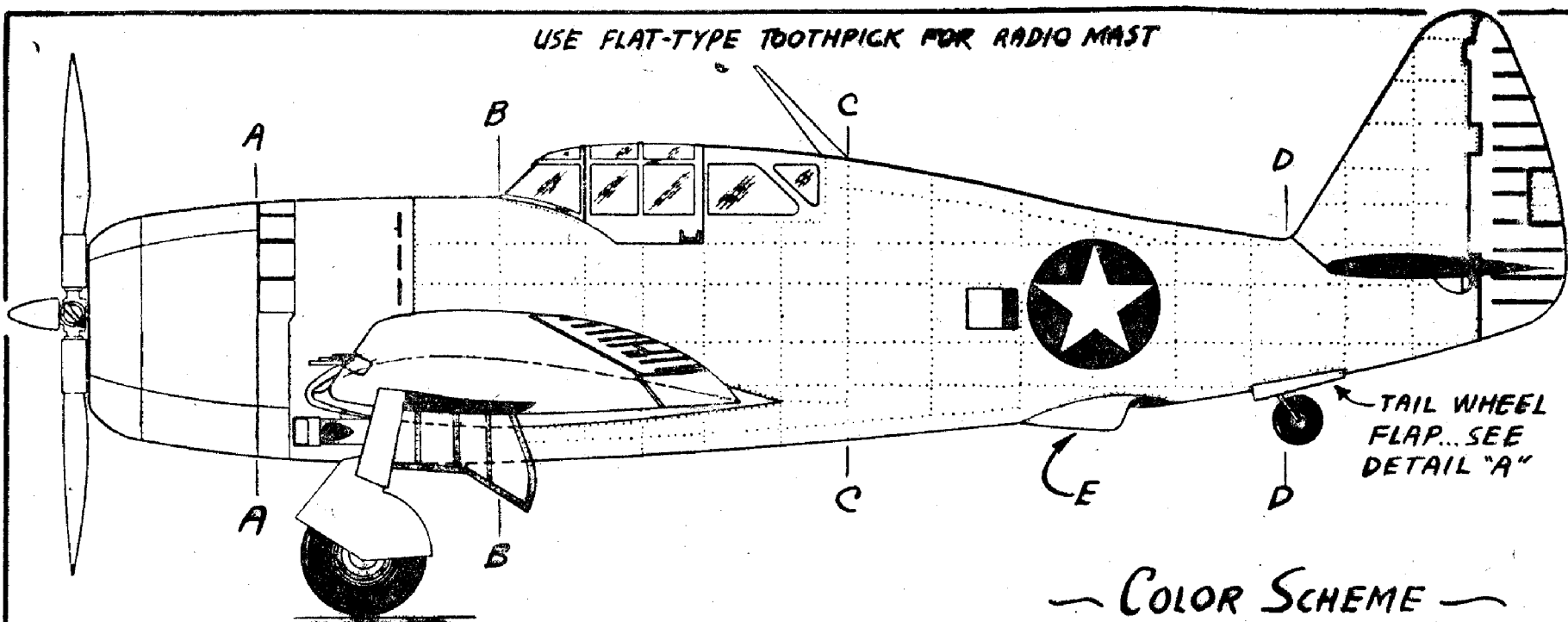
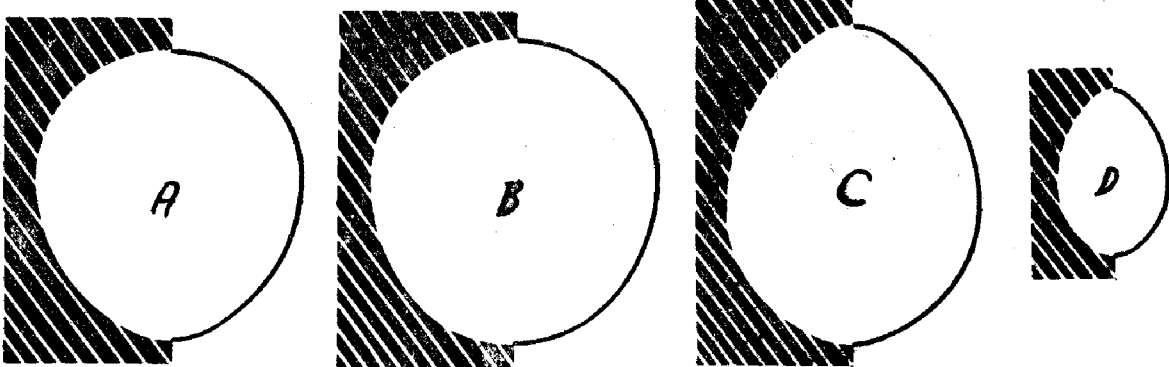


USE FLAT-TYPE TOOTHPICK FOR RADIO MAST

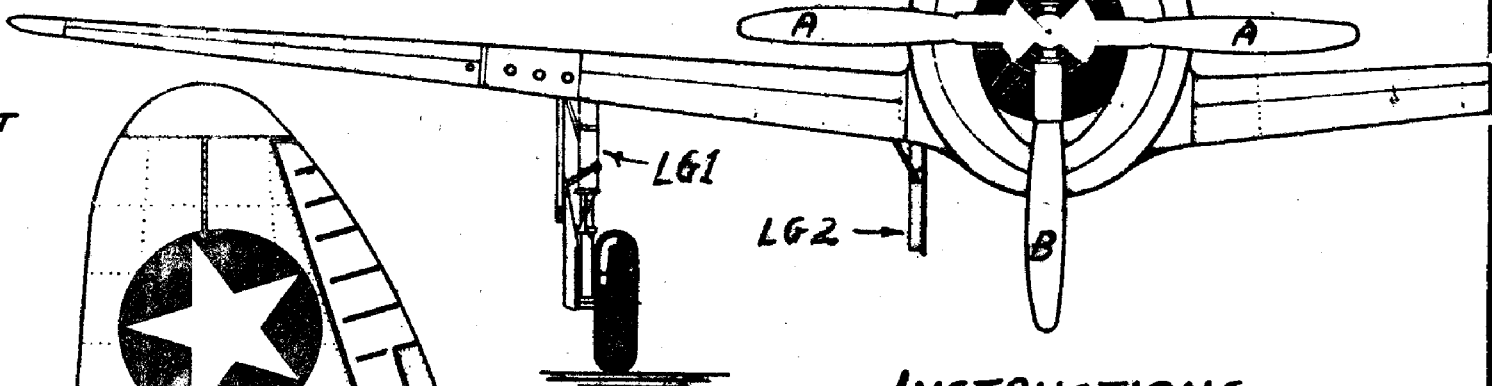


COLOR SCHEME
 ENTIRE SHIP MAY BE ALUMINUM OR CAMOUFLAGE WITH DETAILS IN BLACK



NOTE!
 PROP BLADES MARKED "A" SHOULD LOOK LIKE THOSE MARKED "B" WHEN PROP IS MADE

DETAIL "A"
 CUT THIS OUT, FOLD IT LIKE THIS AND GLUE IT IN POSITION



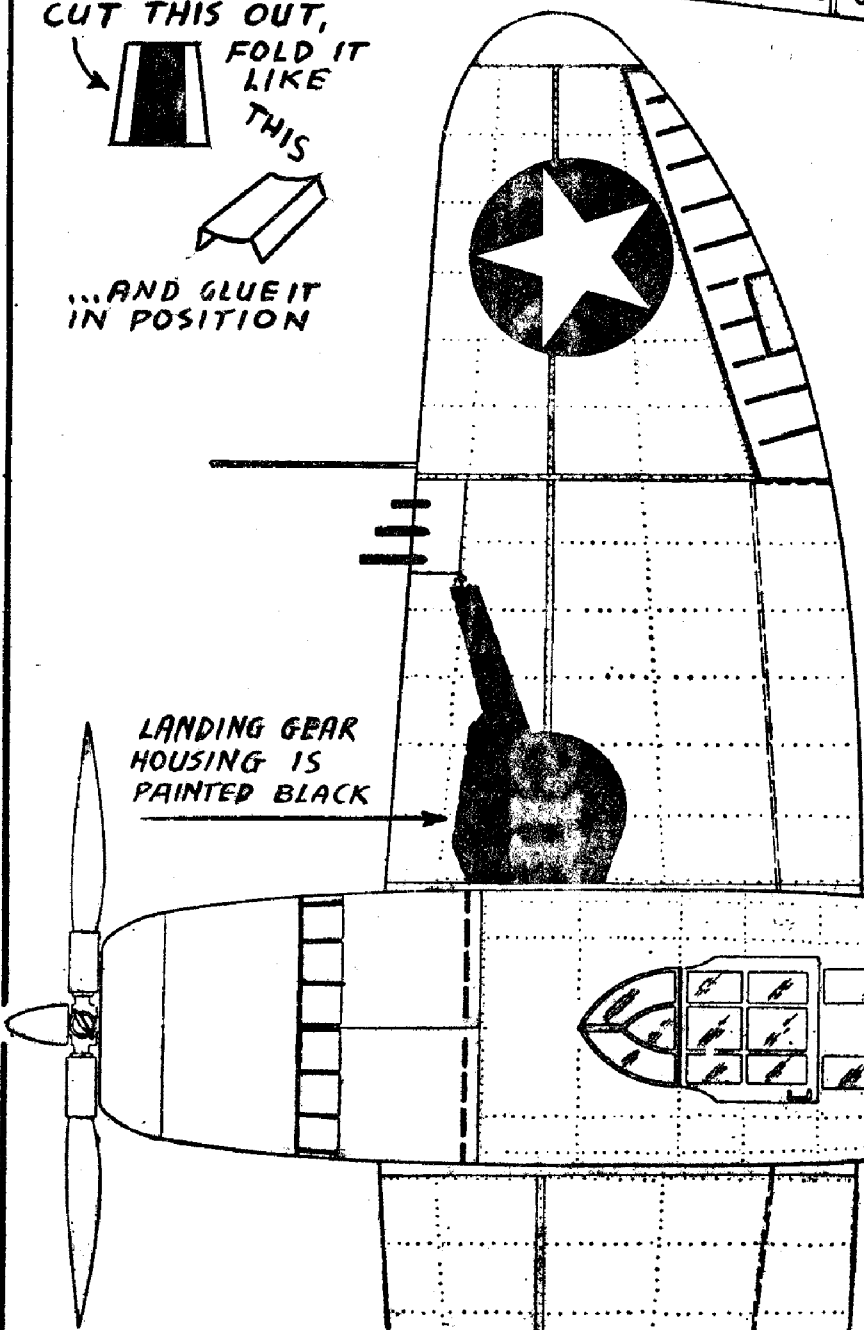
INSTRUCTIONS

FINISH SHAPING THE FUSELAGE ACCORDING TO PLAN USING SHARP KNIFE AND SANDPAPER.

WING - STREAMLINE THE WING ACCORDING TO THE CROSS-SECTION SHOWN. BE SURE TO TAPER THE WING TOWARD THE TIPS (SEE FRONT VIEW). THIS APPLIES TO THE TAIL SURFACES.

CUT PARTS FROM PRINTED SHEET, ASSEMBLE THE MODEL AND "DRESS IT UP."

LANDING GEAR HOUSING IS PAINTED BLACK



CROSS-SECTION OF WING

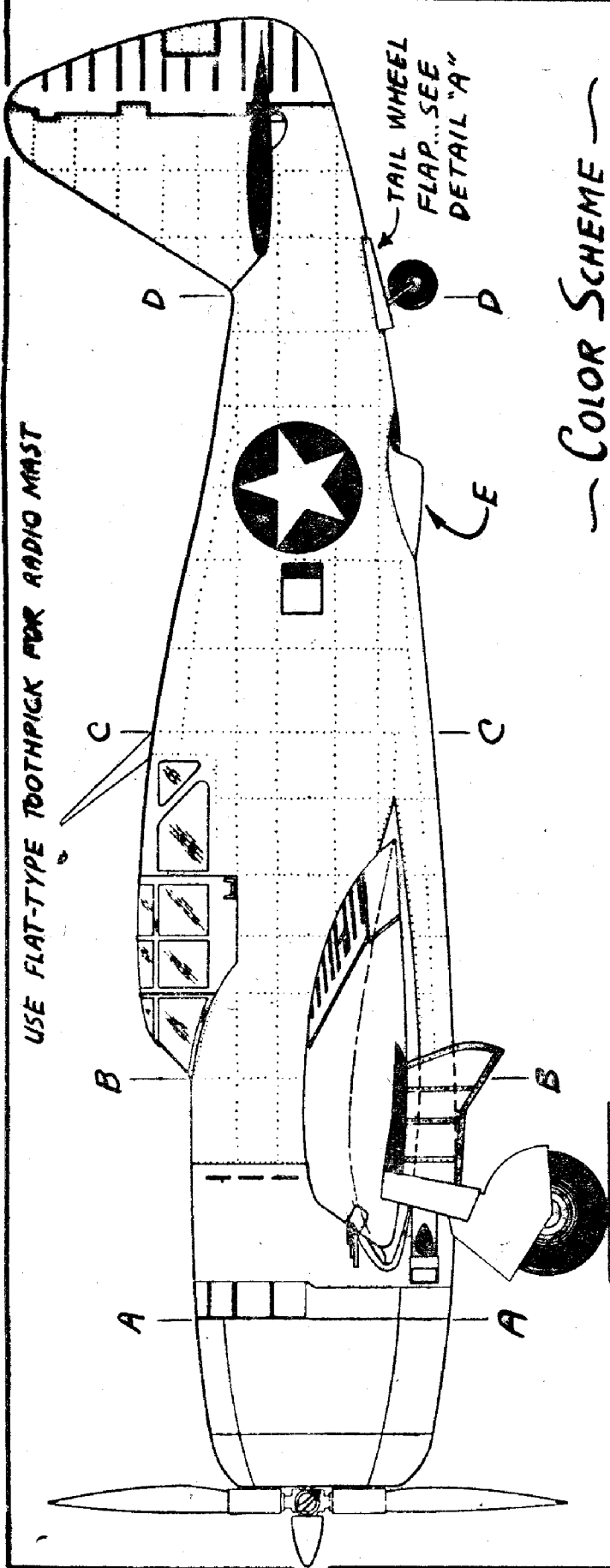


EAGLE MODEL AIRCRAFT CO., B'KLYN

Republic P-47

THUNDERBOLT

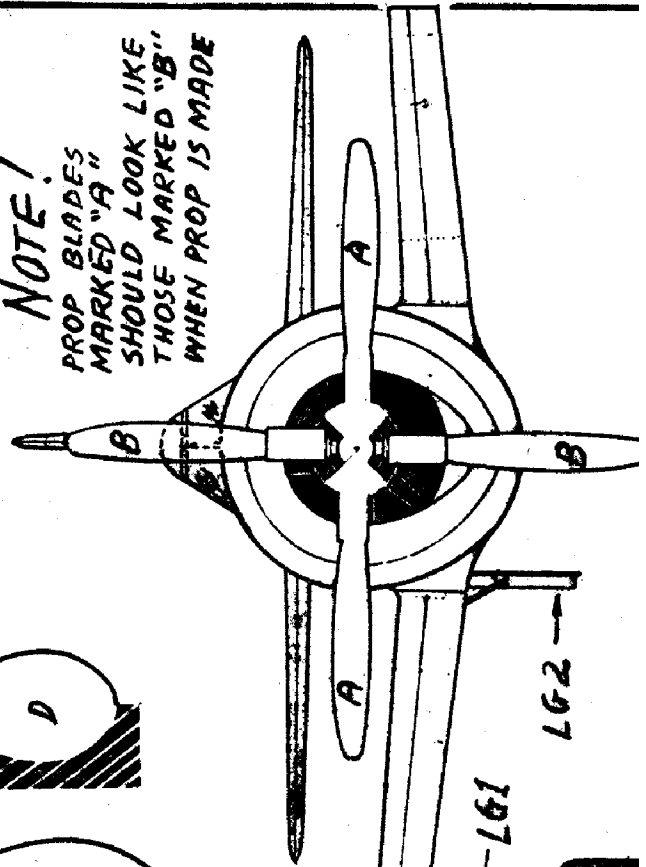
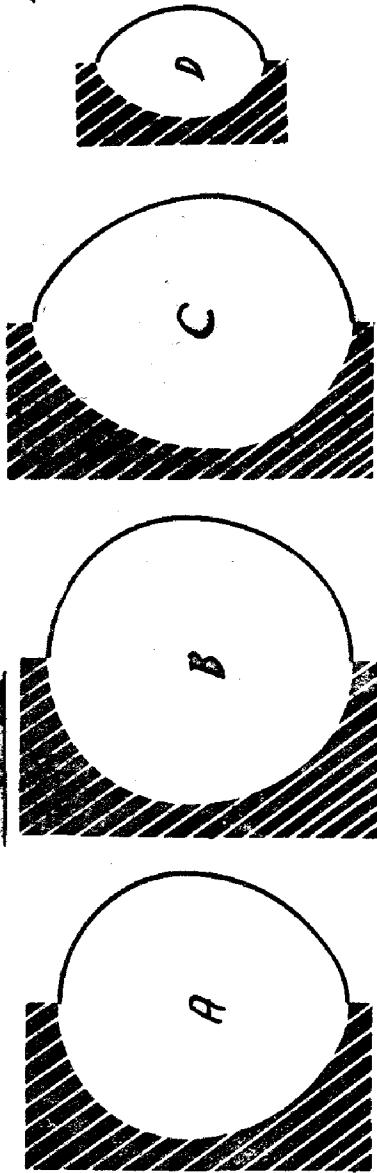
USE FLAT-TYPE TOOTHPICK FOR RADIO MAST



TAIL WHEEL FLAP...SEE DETAIL "A"

COLOR SCHEME — ENTIRE SHIP MAY BE ALUMINUM OR CAMOUFLAGE WITH DETAILS IN BLACK

NOTE! PROP BLADES MARKED "A" SHOULD LOOK LIKE THOSE MARKED "B" WHEN PROP IS MADE



DETAIL "A" CUT THIS OUT, FOLD IT LIKE THIS



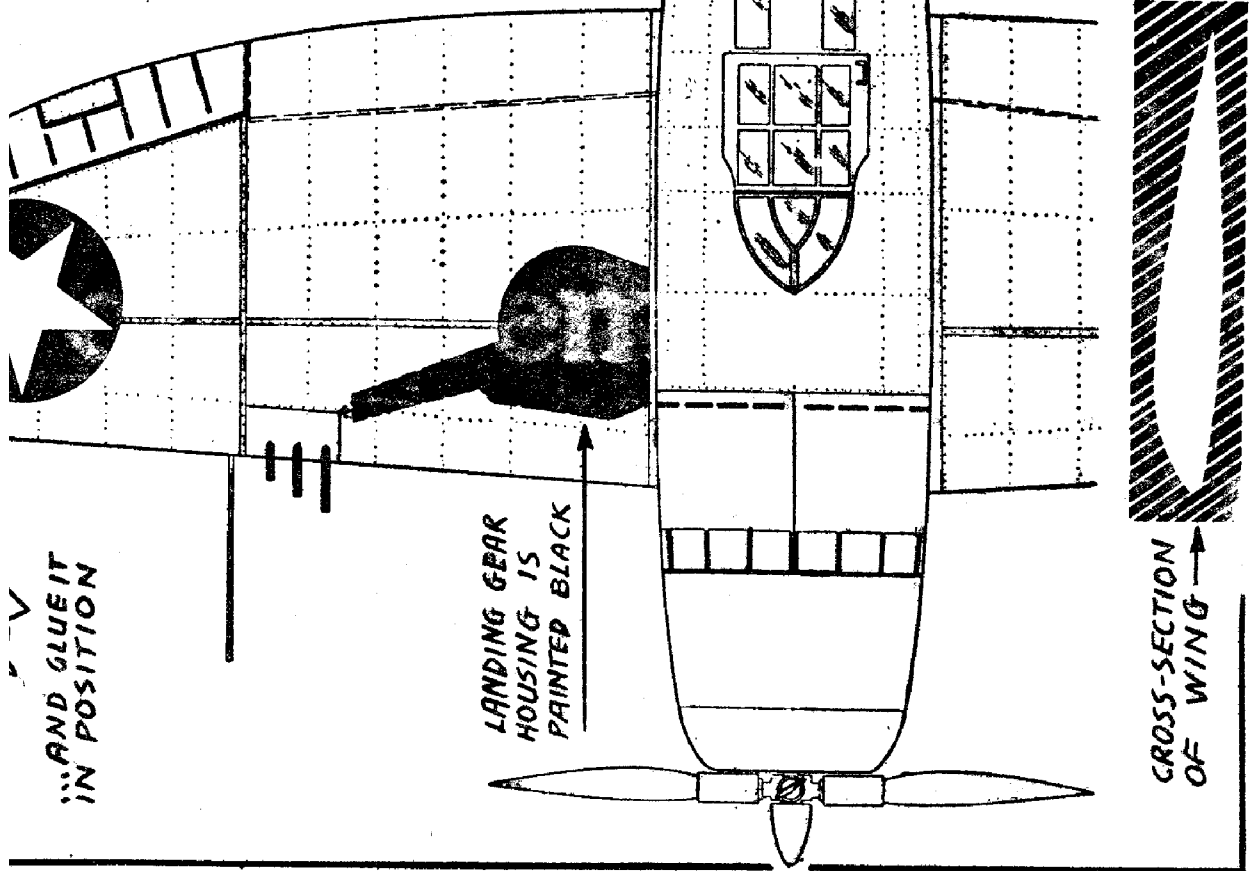
...AND GLUE IT
IN POSITION

INSTRUCTIONS

FINISH SHAPING THE FUSELAGE ACCORDING TO PLAN USING SHARP KNIFE AND SANDPAPER.

WING - STREAMLINE THE WING ACCORDING TO THE CROSS-SECTION SHOWN. BE SURE TO TAPER THE WING TOWARD THE TIPS (SEE FRONT VIEW). THIS APPLIES TO THE TAIL SURFACES.

CUT PARTS FROM PRINTED SHEET, ASSEMBLE THE MODEL AND "DRESS IT UP."



EAGLE MODEL AIRCRAFT CO., B'KLYN

Republic P-47

CROSS-SECTION
OF WING →

THUNDERBOLT

